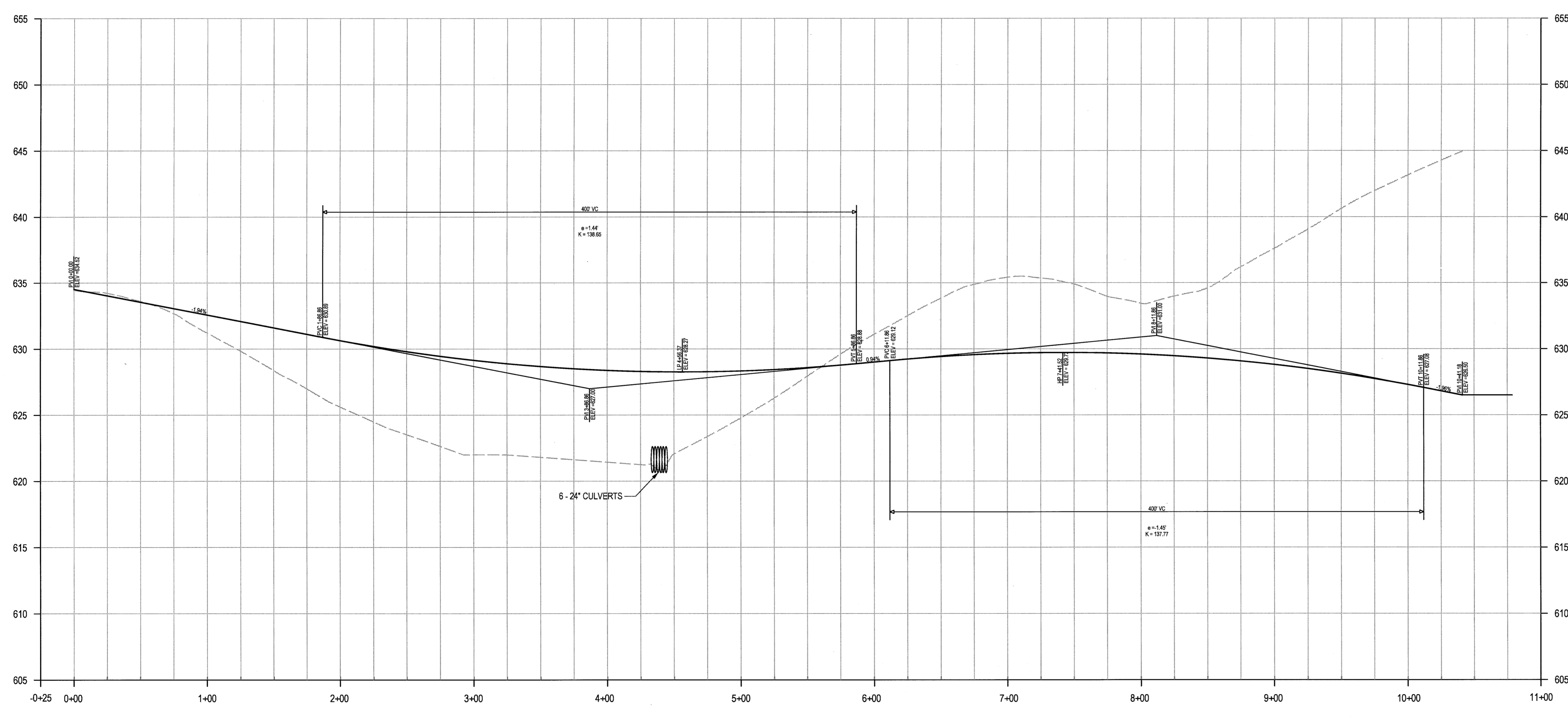


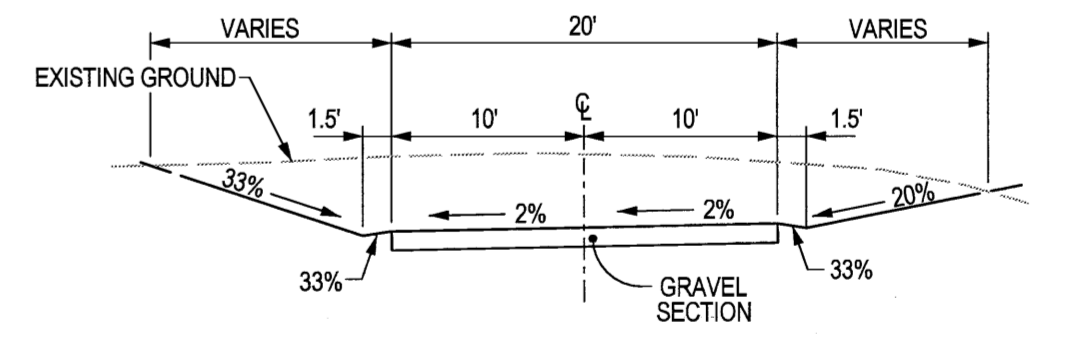
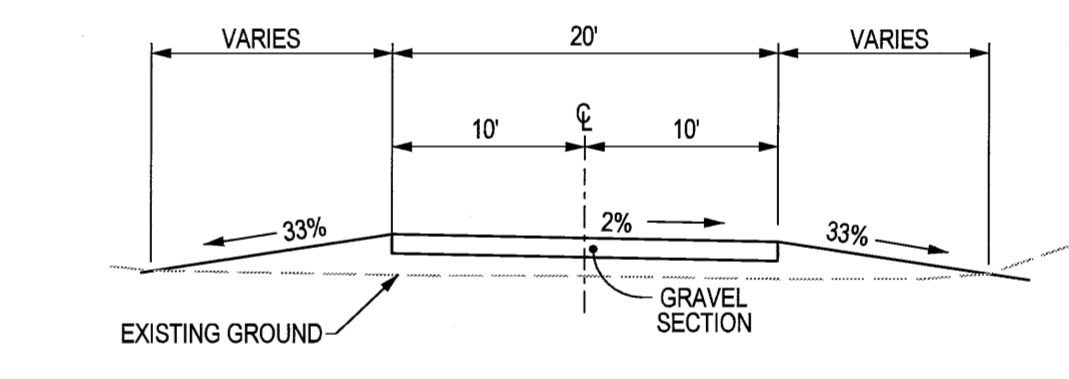
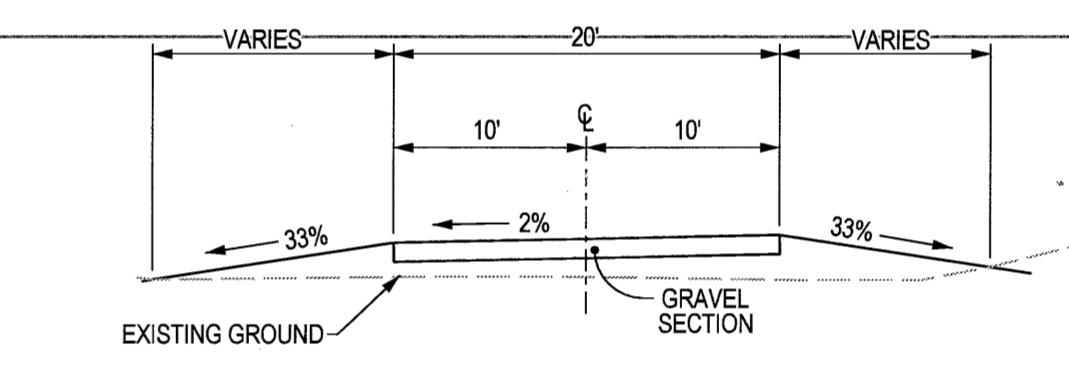
**ACCESS ROAD PLAN VIEW**

SCALE: 1" = 50'



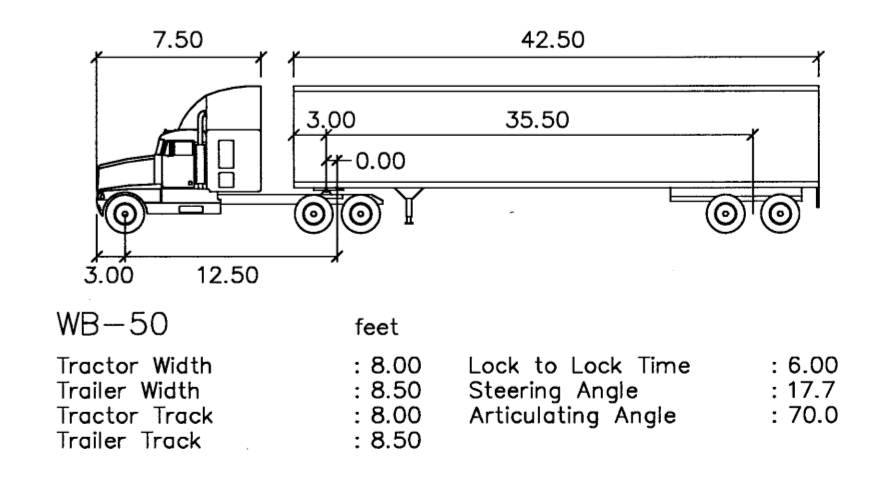
**ACCESS ROAD PROFILE**

SCALE: H: 1" = 50'  
V: 1" = 5'



**ACCESS ROAD SECTIONS**

N.T.S.



**TURNING TEMPLATE INFORMATION**

N.T.S.



**LS** Liederman Soltesz Associates, Inc.  
 Rockville Office  
 2 Research Place, Suite 100  
 Rockville, MD 20850  
 t. 301.948.2750 f. 301.948.9067  
 www.LSAssociates.net

Rockville  
 Lanham  
 Waldorf  
 Leonardtown

Engineering  
 Planning  
 Surveying  
 Environmental Sciences

NO.	DATE	REVISIONS	BY	DATE	
1	AUGUST 2010				
DESIGNER:	G.P.	TECHNICIAN:	G.M.M.	CHECKED:	K.C.R.

**MISS UTILITY NOTE**  
 INFORMATION CONCERNING EXISTING UNDERGROUND UTILITIES WAS OBTAINED FROM AVAILABLE RECORDS. THE CONTRACTOR MUST DETERMINE THE EXACT LOCATION AND ELEVATION OF ALL EXISTING UTILITIES AND UTILITY CROSSINGS BY DIGGING TEST PITS BY HAND, WELL IN ADVANCE OF THE START OF EXCAVATION. CONTACT "MISS UTILITY" AT 1-800-291-7777, 48 HOURS PRIOR TO THE START OF EXCAVATION. IF CLEARANCES ARE LESS THAN SHOWN ON THIS PLAN OR THIRTY (30) INCHES, WHOEVER IS LESS, CONTACT THE ENGINEER AND THE UTILITY COMPANY BEFORE PROCEEDING WITH CONSTRUCTION. CLEARANCES LESS THAN NOTED MAY REQUIRE REVISIONS TO THIS PLAN.

**PREPARED FOR:**  
 KENNY CONSTRUCTION COMPANY  
 12516 CONAMAR DRIVE  
 SUITE #204 / SUITE # 205  
 HAGERSTOWN, MARYLAND 21742  
 PHONE: 301-745-9885  
 FAX: 301-745-3038  
 ATTN: MR. ROBERT DAHLIN

COPYRIGHT AND THE MAP PEOPLE PERMITTED USE NUMBER 2081199	
MAP: TAX MAP 89	ZONING CATEGORY: 'A'
WSEC 200' SHEET	
SITE DATUM: HORIZONTAL: NAD 83 VERTICAL: NAD 88	

**ACCESS ROAD EXHIBIT**

**KEMPTOWN SUBSTATION**

SITUATED AT THE INTERSECTION OF BARTHOLOWS ROAD  
AND WEST OAK DRIVE  
NEW MARKET ELECTION DISTRICT No. 9  
FREDERICK COUNTY, MARYLAND

SHEET **10**  
OF **23**  
PROJECT NO.  
1814-00-00

P:\11614000\PREL\Special Exception Plan Sheets\10-ACCESS ROAD EXHIBIT.sht Scale=50.0000 #/in. User=dlyer PLTdy=PDF\_Grey\_NQ.plt PenB=TEXT.SUB.tbl 7/30/2010 2:45:34 PM